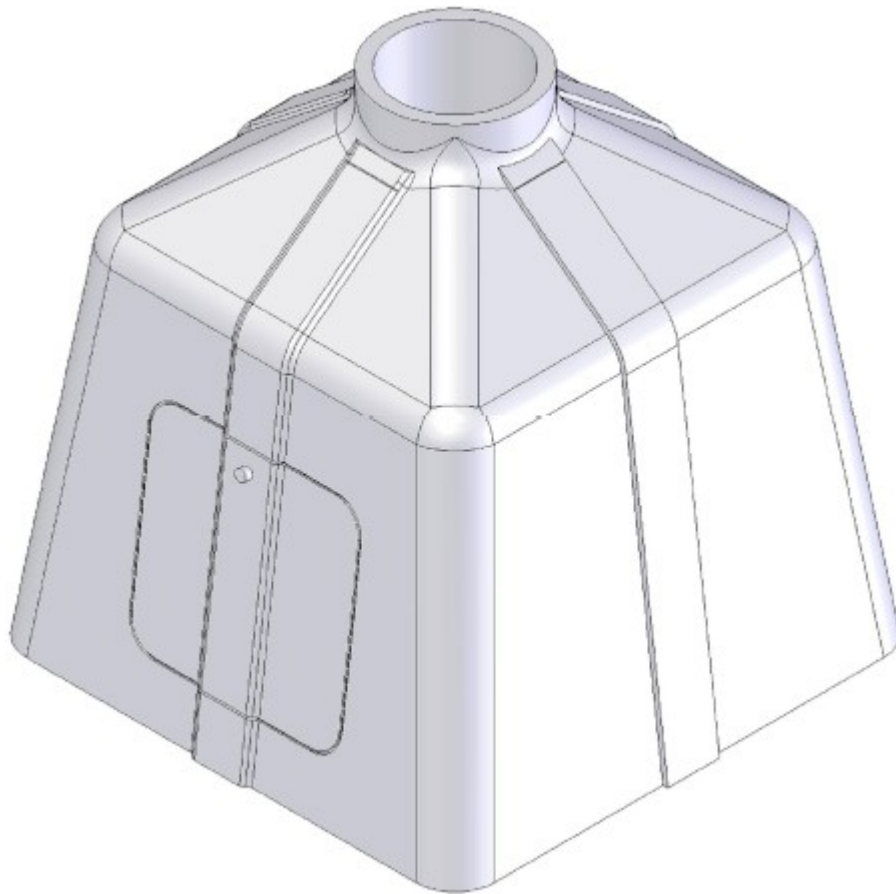




COST CAST, INC

TRAFFIC SIGNAL AND SIGN MOUNTING HARDWARE

Pole Hardware **Square Pedestal Base** **1341-4AP**



- Cast From High Quality Certified Aluminum Ingot
- Certified Stainless Steel Hardware
- Weather Resistant Powder Coating with multiple colors available including Black and Federal Yellow
- 4.5" NPS Threaded Top to Fit CCI Item #1341
- Plastic Door Assembled with Tamper Resistant Hardware



COST CAST, INC. MANUFACTURES THE "ZERO FAILURE" TRAFFIC SIGNAL HARDWARE EXCLUSIVELY MADE IN AMERICA.