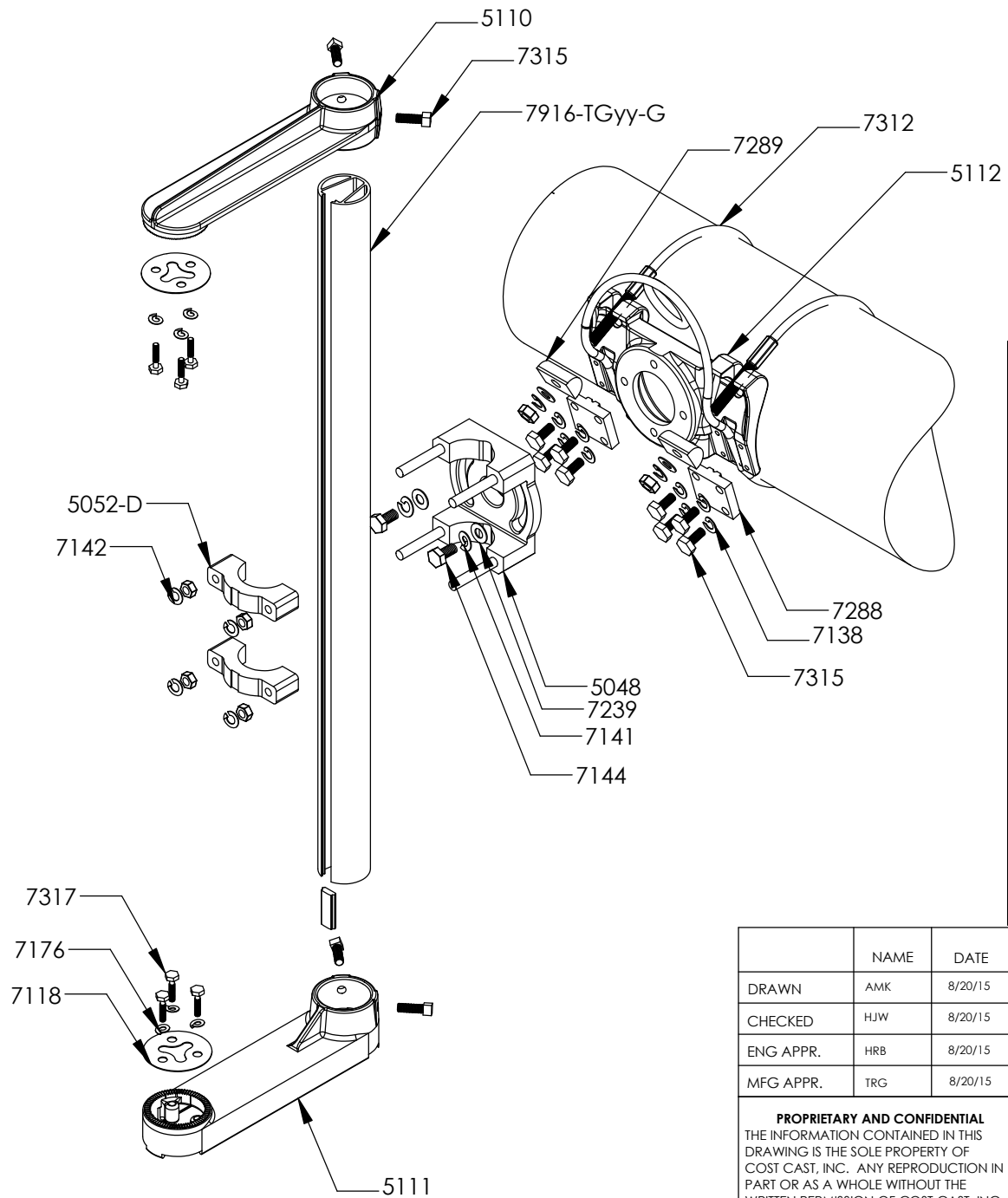


REVISIONS			
REV.	DESCRIPTION	DATE	APPROVED
A	INITIAL RELEASE	8/20/15	HRB



ITEM NO.	PART DESCRIPTION	
5112	1416 Mast Arm Saddle, Al Alloy 535.0	1
7312	Aircraft Cable, xx" Long, Double 3/8" Swage, SS304	1
5048	1916 Swivel, Al Alloy 535.0, Cast in 3/8"-16 SS304 Studs (4)	1
5110	1416 Mast Arm Bracket Top Arm	1
5111	1416 Mast Arm Bracket Bottom Arm	1
7285	1416 Bottom Arm Cover, Plastic	1
7916-TGyy-G	Gusseted Pipe, yy" Long, Al Alloy 6061-T6	1
7288	Clamp, Cable, Four -Bolt, Extruded Al	2
7289	Wedge, Aluminum, Extruded	2
7315	5/16"-18 x 3/4" Cap Screw Hex, SS304	8
7138	5/16"-18 Washer Lock SS304	12
5052-D	1916 Cap, Al Alloy 535.0	2
7144	3/8"-16 x 1-1/4" Cap Screw, SS304	2
7239	3/8" Washer, Flat, Oversized, SS304	4
7141	3/8" Washer, Lock, SS304	8
7142	3/8"-16 Nut, SS304	6
7315	5/16"-18 x 3/4" Cap Screw, SS304	4
7317	1/4"-20 x 1-1/2" Cap Screw, Hex, SS304	6
7176	1/4" Washer, Lock, SS304	2
7118	Tri-Stud Washer, .090" Thick, SS304	2

	NAME	DATE
DRAWN	AMK	8/20/15
CHECKED	HJW	8/20/15
ENG APPR.	HRB	8/20/15
MFG APPR.	TRG	8/20/15

**PROPRIETARY AND CONFIDENTIAL**  
 THE INFORMATION CONTAINED IN THIS DRAWING IS THE SOLE PROPERTY OF COST CAST, INC. ANY REPRODUCTION IN PART OR AS A WHOLE WITHOUT THE WRITTEN PERMISSION OF COST CAST, INC. IS PROHIBITED.

UNLESS OTHERWISE SPECIFIED:  
 DIMENSIONS ARE IN INCHES  
 TOLERANCES:  
 ANGULAR: MACH ± 1/32"  
 TWO PLACE DECIMAL ± .03"  
 THREE PLACE DECIMAL ± .010"

INTERPRET GEOMETRIC TOLERANCING PER:  
 MATERIAL: VARIOUS  
 FINISH: VARIOUS  
 DO NOT SCALE DRAWING

**COST CAST, INC**

TITLE:  
**1716-3X-Cxxx**  
 Mast Arm Signal Hanger, 3 Section  
 Signal, xxx Cable Length, 37" Tube, SS 304 Certified

SIZE <b>A</b>	DWG. NO. <b>13797</b>	REV <b>A</b>
------------------	--------------------------	-----------------

SCALE: 1:16 | WEIGHT: | SHEET 1 OF 1