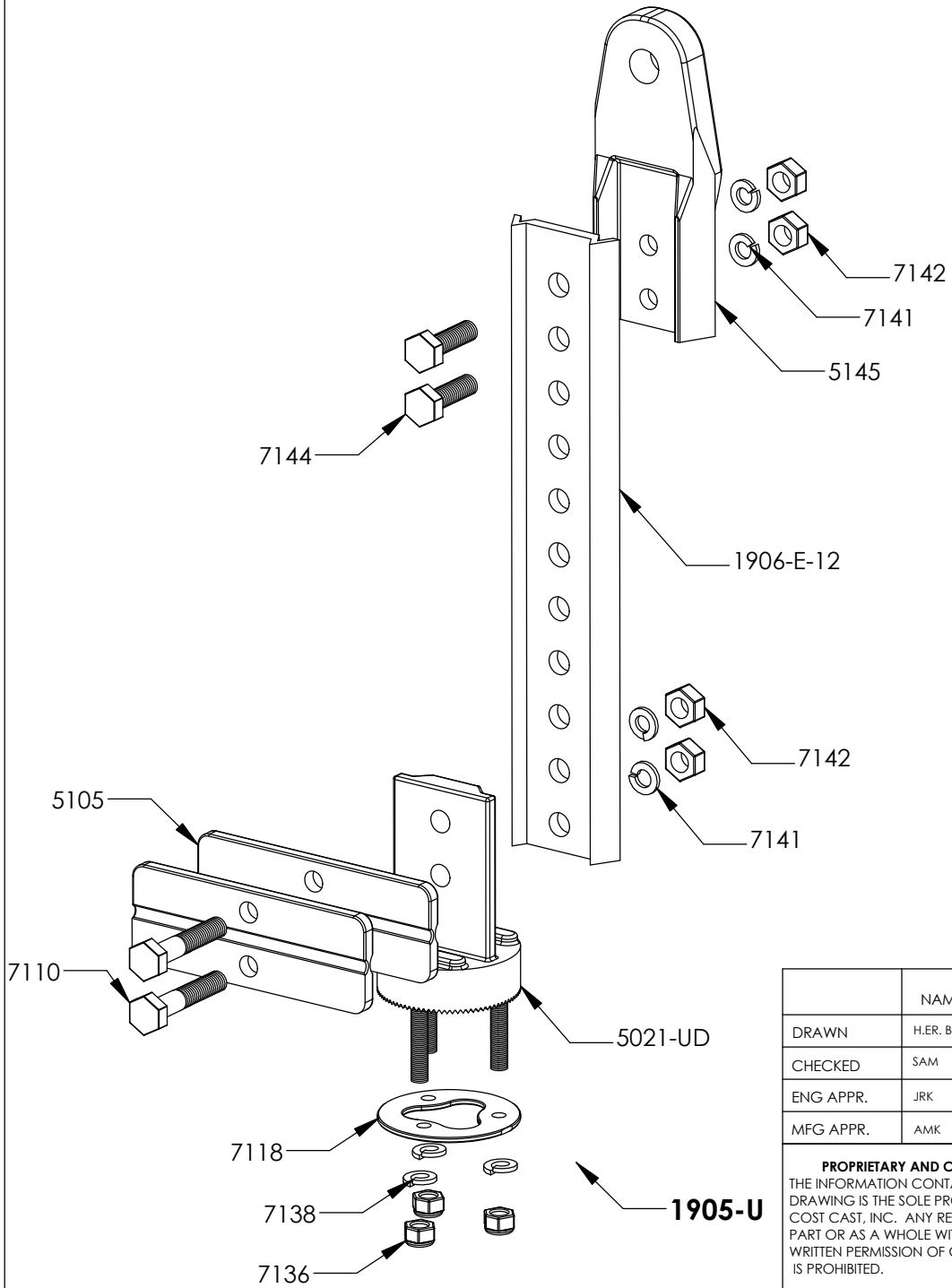


REVISIONS			
REV.	DESCRIPTION	DATE	APPROVED
A	INITIAL RELEASE	1/5/16	RJT



ITEM NO.	PART DESCRIPTION	
<b>5145</b>	<b>1905 Top, Al Alloy 535, SS304 Bushing fit 5/8" Pin</b>	1
<b>1906-E-12</b>	<b>1906 Extruded Extension Bar, Al Alloy 6061</b>	1
<b>7906-H</b>	<b>1906 Hardware Kit</b>	1
7144	3/8"-16 x 1-1/4" Cap Screw, Hex Head, SS304	2
7142	3/8"-16 Hex Nut, SS304	2
7141	3/8" Washer, Lock, SS304	2
<b>7906-6</b>	<b>1906 6" Tether Clamp for 1/4" - 1/2" Cable, Set</b>	1
5105	1906 6" Tether Clamp Al Alloy 535	2
7110	3/8"-16 x 2" Cap Screw, Hex Head	2
7142	3/8"-16 Hex Nut, SS304	2
7141	3/8" Washer, Lock, SS304	2
<b>1905-U</b>	<b>1905 Bottom Kit, Unpainted</b>	1
5021-UD	1905 Bottom Hanger, 5/16"-18 Studs (3x) SS304	1
7118	Washer, Tri-Stud, SS304	1
7138	5/16" Washer, Lock, SS304	3
7136	5/16"-18 Hex Nut, Nylock, SS304	3

	NAME	DATE
DRAWN	H.ER. B	1/3/16
CHECKED	SAM	1/4/16
ENG APPR.	JRK	1/4/16
MFG APPR.	AMK	1/4/16

**PROPRIETARY AND CONFIDENTIAL**  
 THE INFORMATION CONTAINED IN THIS DRAWING IS THE SOLE PROPERTY OF COST CAST, INC. ANY REPRODUCTION IN PART OR AS A WHOLE WITHOUT THE WRITTEN PERMISSION OF COST CAST, INC. IS PROHIBITED.

UNLESS OTHERWISE SPECIFIED:  
 DIMENSIONS ARE IN INCHES  
 TOLERANCES:  
 ANGULAR: MACH ± 1/32"  
 TWO PLACE DECIMAL ± .03"  
 THREE PLACE DECIMAL ± .010"  
 INTERPRET GEOMETRIC TOLERANCING PER:  
 MATERIAL VARIOUS  
 FINISH VARIOUS  
 DO NOT SCALE DRAWING

**COST CAST, INC**

TITLE: **1905-3-63**  
 Adjustable Hanger Set, Top and Bottom  
 2-Hole, Tri-Stud Connection, Universal  
 Tether Clamp fits 1/4"-1/2" Wire, SS304

SIZE <b>A</b>	DWG. NO. <b>13817</b>	REV <b>A</b>
SCALE: 1:16		WEIGHT:
		SHEET 1 OF 1