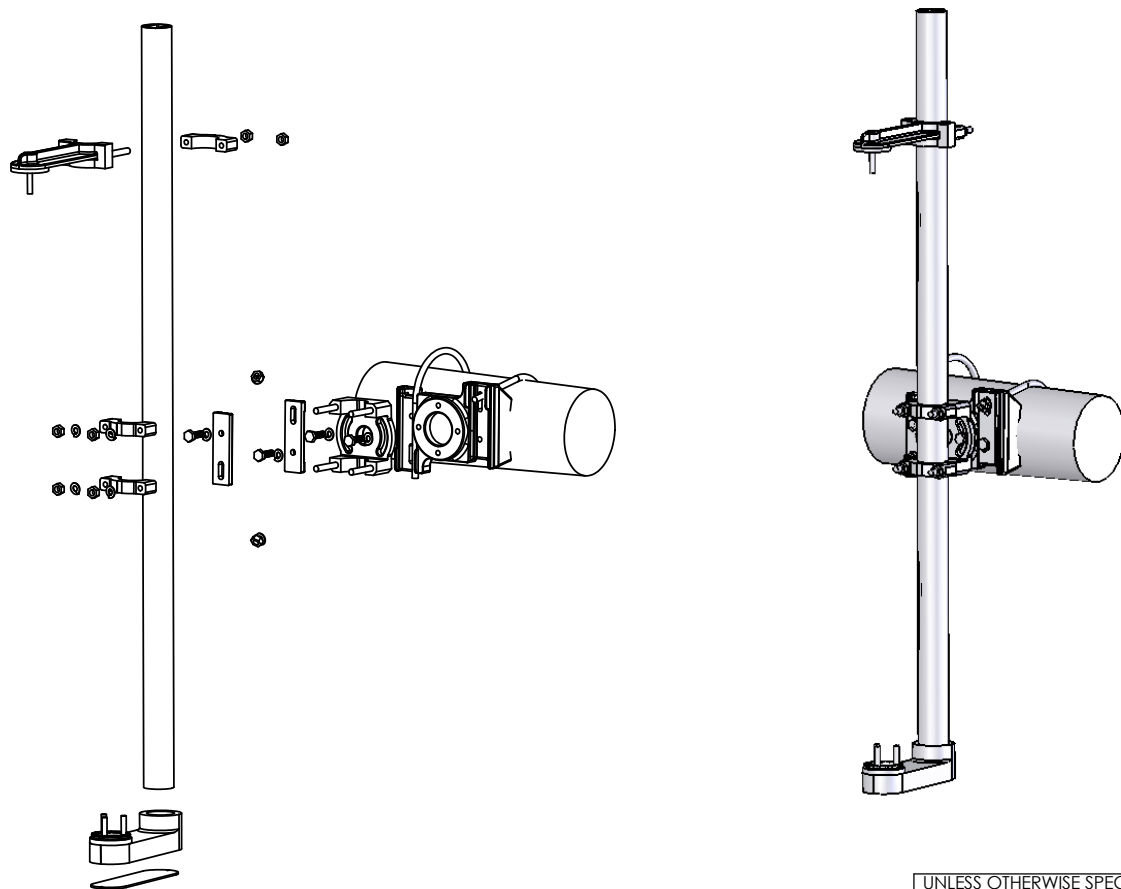


REVISIONS				
ZONE	REV.	DESCRIPTION	DATE	APPROVED
	A	INITIAL RELEASE	1/16/2008	GMK

1 1/2" AL GUSSETED TUBE, yy= DESIRED TUBE LENGTH
 ALL SS NUTS, WASHERS, AND, BOLTS ARE SUPPLIED FOR
 INSTALLATION
 SUPPLIED WITH TWO SS AIRCRAFT CABLES, xx= DESIRED
 CABLE LENGTH



UNLESS OTHERWISE SPECIFIED:
 DIMENSIONS ARE IN INCHES
 TOLERANCES:
 FRACTIONAL ±
 ANGULAR: MACH ± 1 BEND ± 2
 TWO PLACE DECIMAL ± .03"
 THREE PLACE DECIMAL ± .010"

COST CAST, INC

TITLE:

1916-G-zxx-Gyy

INTERPRET GEOMETRIC
 TOLERANCING PER:

MATERIAL

FINISH

SIZE
A

DWG. NO.
 13677

REV
A

PROPRIETARY AND CONFIDENTIAL
 THE INFORMATION CONTAINED IN THIS
 DRAWING IS THE SOLE PROPERTY OF
 COST CAST, INC. ANY REPRODUCTION IN
 PART OR AS A WHOLE WITHOUT THE
 WRITTEN PERMISSION OF COST CAST, INC.
 IS PROHIBITED.

DO NOT SCALE DRAWING

SCALE: 1:24

WEIGHT:

SHEET 1 OF 1