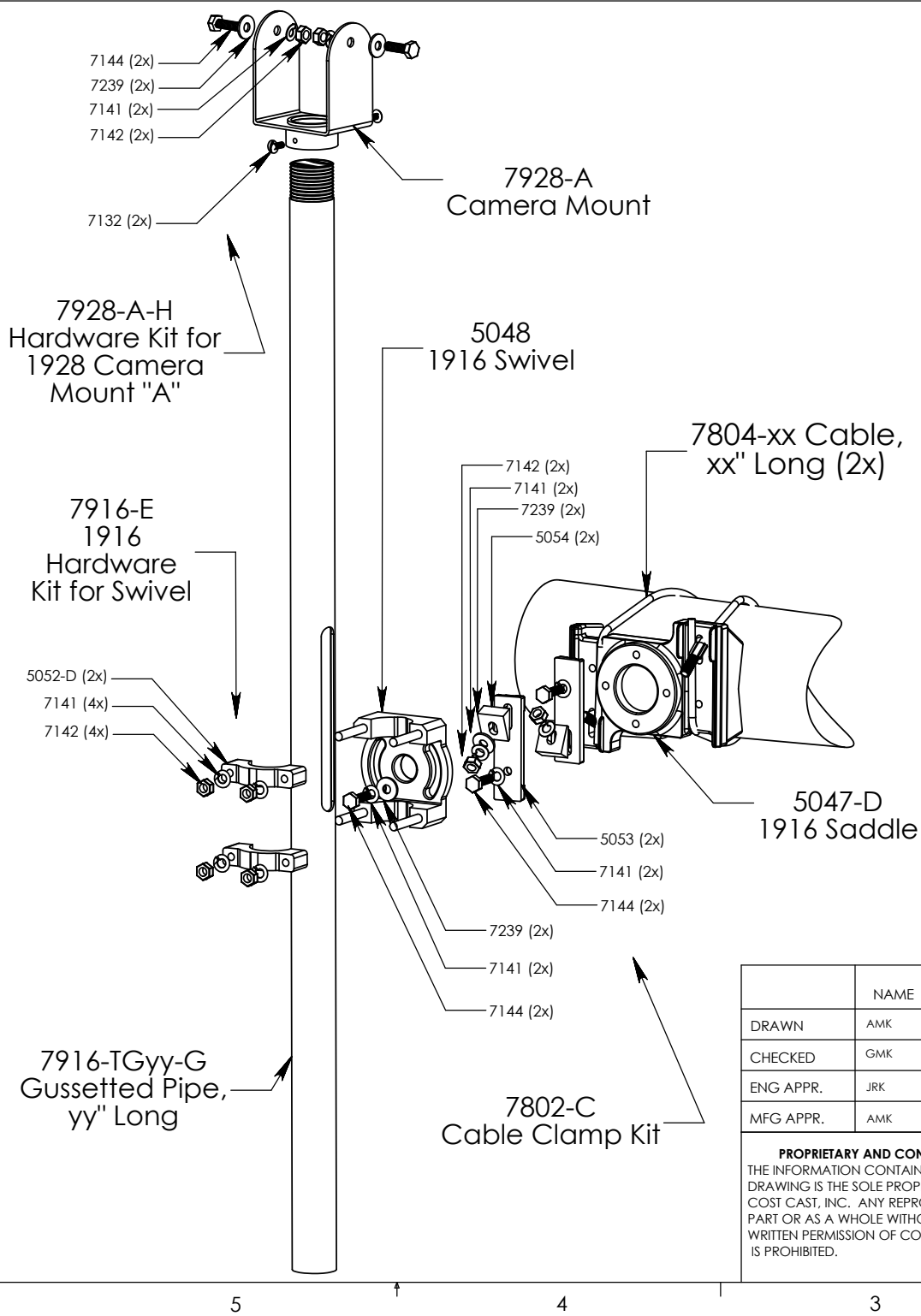


REVISIONS			
REV.	DESCRIPTION	DATE	APPROVED
A	INITIAL RELEASE	7/8/09	GMK



ITEM NO.	PART DESCRIPTION	
5047-D	1916 Saddle, Al Alloy 535.0	1
7804-xx	Aircraft Cable, xx" Long, 3/8" Swage, SS304	1
5048	1916 Swivel, Al Alloy 535.0, Cast in 3/8"-16 SS304 Studs (4)	1
7916-TGyy-G	Gusseted Pipe, yy" Long, Al Alloy 6061-T6	1
7802-C	Cable Clamp Kit	
5053	Mast Arm Cable Clamp, AL Alloy 319.0	2
5054	Mast Arm Cable Wedge, AL Alloy 319.0	2
7144	3/8"-16 x 1-1/4" Cap Screw, SS304	2
7239	3/8" Washer, Flat, Oversized, SS304	2
7141	3/8" Washer, Lock, SS304	4
7142	3/8"-16 Nut, SS304	2
7916-E	1916 Hardware Kit for Swivel	
5052-D	1916 Cap, Al Alloy 535.0	2
7144	3/8"-16 x 1-1/4" Cap Screw, SS304	2
7239	3/8" Washer, Flat, Oversized, SS304	2
7141	3/8" Washer, Lock, SS304	6
7142	3/8"-16 Nut, SS304	4
7928-A	7928-A Camera Mount, Al Alloy 5052, Welded 1-1/2" NPT Al Coupling	1
7928-A-H	Hardware Kit for 1928-A (Camera Mount "A")	
7144	3/8"-16 x 1-1/4" Cap Screw, SS304	2
7239	3/8" Washer, Flat, Oversized, SS304	2
7141	3/8" Washer, Lock, SS304 (for Top Arm)	2
7142	3/8"-16 Nut, SS304 (for Top Arm)	2
7132	1/4"-20 x 5/8", Slotted Truss Head, SS304	2

	NAME	DATE
DRAWN	AMK	7/8/09
CHECKED	GMK	7/8/09
ENG APPR.	JRK	7/8/09
MFG APPR.	AMK	7/8/09

PROPRIETARY AND CONFIDENTIAL
 THE INFORMATION CONTAINED IN THIS DRAWING IS THE SOLE PROPERTY OF COST CAST, INC. ANY REPRODUCTION IN PART OR AS A WHOLE WITHOUT THE WRITTEN PERMISSION OF COST CAST, INC. IS PROHIBITED.

UNLESS OTHERWISE SPECIFIED:
 DIMENSIONS ARE IN INCHES
 TOLERANCES:
 ANGULAR: MACH ± 1/32"
 TWO PLACE DECIMAL ± .03"
 THREE PLACE DECIMAL ± .010"

INTERPRET GEOMETRIC TOLERANCING PER:
 MATERIAL VARIOUS
 FINISH VARIOUS
 DO NOT SCALE DRAWING

COST CAST, INC

TITLE:
1928-A-Cxx-Gyy
 Mast Arm Camera/Radar Detector Mount

SIZE A	DWG. NO. 13696	REV A
SCALE: 1:24	WEIGHT:	SHEET 1 OF 1