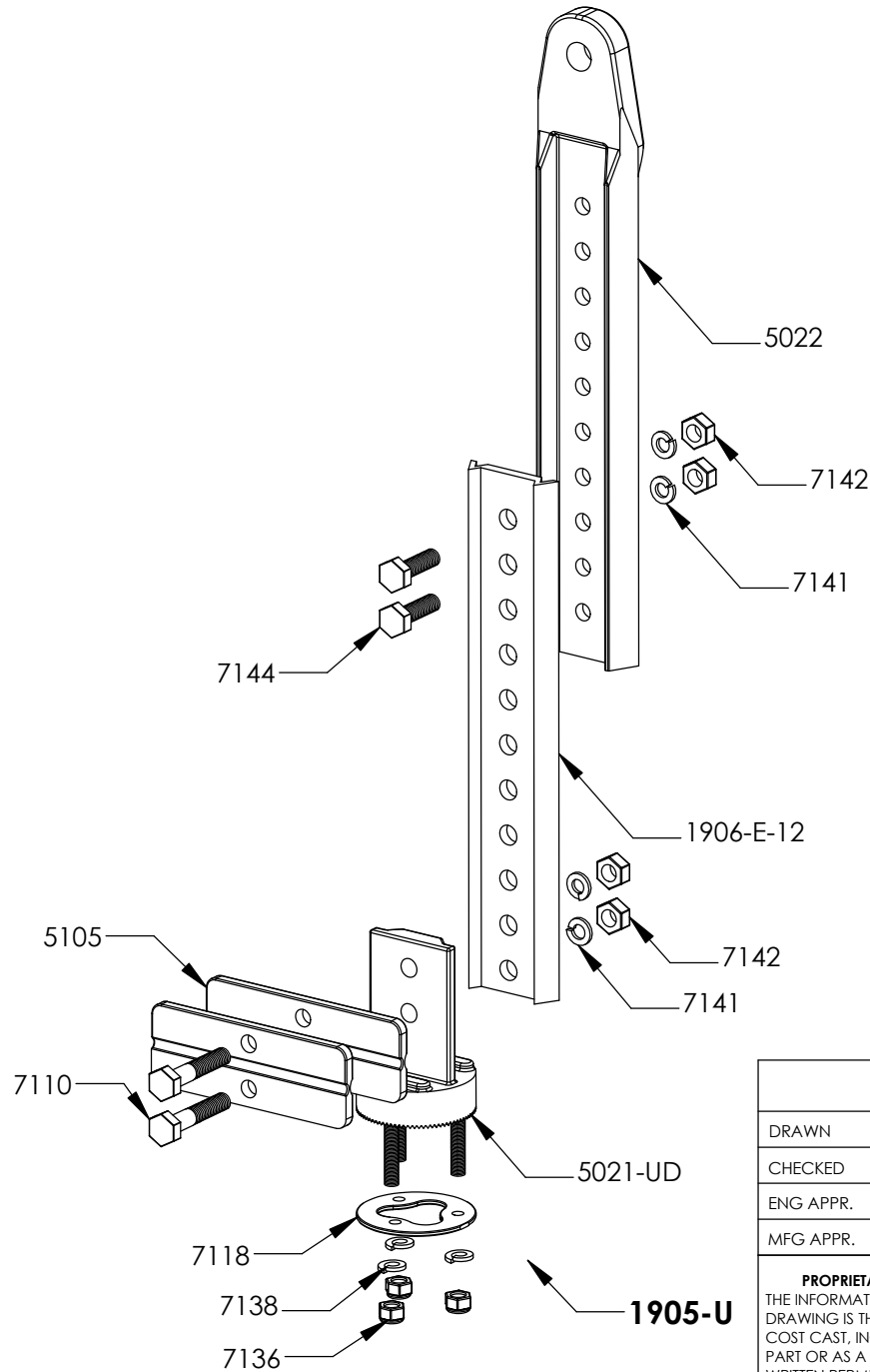


REVISIONS			
REV.	DESCRIPTION	DATE	APPROVED
A	INITIAL RELEASE	1/5/16	RJT



FDOT APL: 1905-U, 65010410408013
 1906-3-63, 65910260408033
 1906-E, 65910350408043

ITEM NO.	PART DESCRIPTION	
5022	1906 Top, Al Alloy 535, SS304 Bushing fit 5/8" Pin	1
1906-E-12	1906 Extruded Extension Bar, Al Alloy 6061	1
7906-H	1906 Hardware Kit	1
7144	3/8"-16 x 1-1/4" Cap Screw, Hex Head, SS304	2
7142	3/8"-16 Hex Nut, SS304	2
7141	3/8" Washer, Lock, SS304	2
7906-6	1906 6" Tether Clamp for 1/4" - 1/2" Cable, Set	1
5105	1906 6" Tether Clamp Al Alloy 535	2
7110	3/8"-16 x 2" Cap Screw, Hex Head	2
7142	3/8"-16 Hex Nut, SS304	2
7141	3/8" Washer, Lock, SS304	2
1905-U	1905 Bottom Kit, Unpainted	1
5021-UD	1905 Bottom Hanger, 5/16"-18 Studs (3x) SS304	1
7118	Washer, Tri-Stud, SS304	1
7138	5/16" Washer, Lock, SS304	3
7136	5/16"-18 Hex Nut, Nylock, SS304	3

	NAME	DATE
DRAWN	H.ER. B	1/3/16
CHECKED	SAM	1/4/16
ENG APPR.	JRK	1/4/16
MFG APPR.	AMK	1/4/16

PROPRIETARY AND CONFIDENTIAL
 THE INFORMATION CONTAINED IN THIS DRAWING IS THE SOLE PROPERTY OF COST CAST, INC. ANY REPRODUCTION IN PART OR AS A WHOLE WITHOUT THE WRITTEN PERMISSION OF COST CAST, INC. IS PROHIBITED.

UNLESS OTHERWISE SPECIFIED:

DIMENSIONS ARE IN INCHES
 TOLERANCES:
 ANGULAR: MACH ± 1/32"
 TWO PLACE DECIMAL ± .03"
 THREE PLACE DECIMAL ± .010"

INTERPRET GEOMETRIC TOLERANCING PER:

MATERIAL
 VARIOUS

FINISH
 VARIOUS

DO NOT SCALE DRAWING

COST CAST, INC

TITLE:

1956-3-63

Adjustable Hanger Set, Top and Bottom
 12-Hole, Tri-Stud Connection, Universal
 Tether Clamp fits 1/4"-1/2" Wire, SS304

SIZE
A

DWG. NO.

13818

REV
A

SCALE: 1:16

WEIGHT:

SHEET 1 OF 1