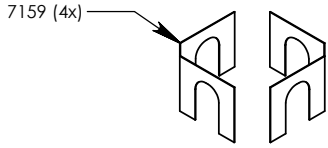


REVISIONS			
REV.	DESCRIPTION	DATE	APPROVED
A	INITIAL RELEASE	10/28/09	GMK

7977-SB-35  
1997 Sleeve  
Bolt Kit

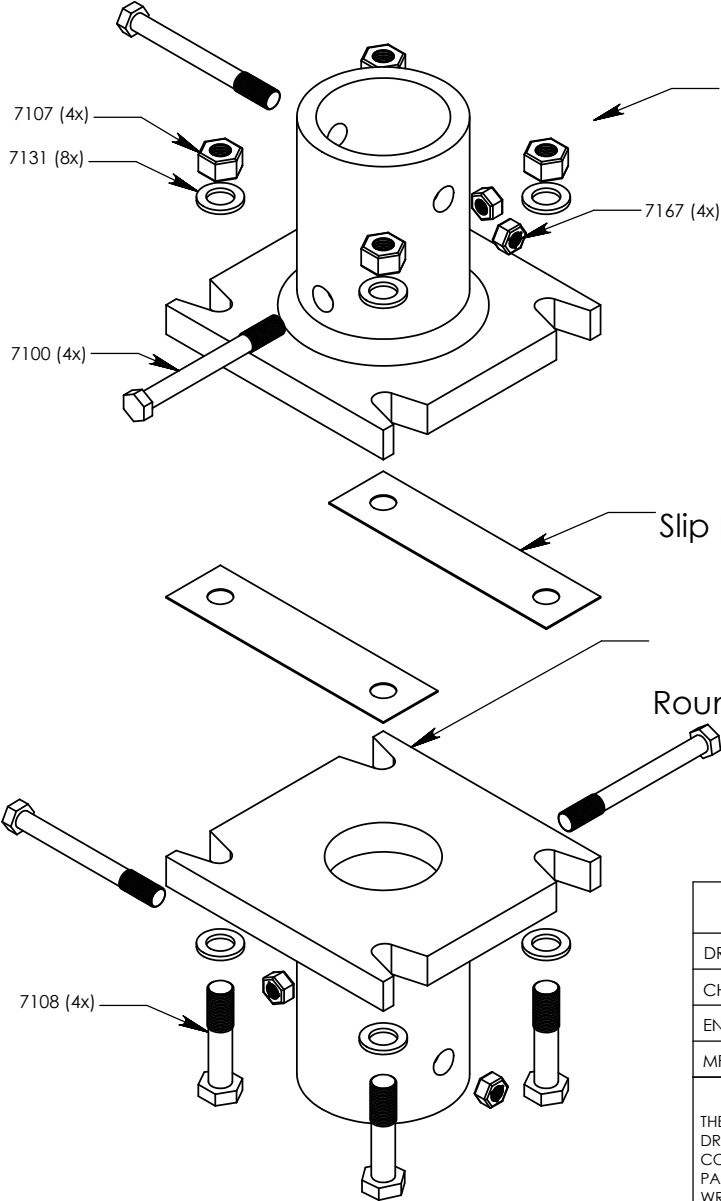


7107 (4x)

7131 (8x)

7100 (4x)

7108 (4x)



7997-BB-4  
1997 Base Bolt  
Hardware Kit

7157  
Slip Base Keeper (2x)

5074  
1997 3-1/2"  
Round Slip Base (2x)

ITEM NO.	PART DESCRIPTION	
5074	1997 3-1/2" Round Slip Base, Alloy 356-T6	2
7157	Slip Base Keeper, 8" Al, .040" Gauge	2
7997-BB-4	1997 Base Bolt Hardware Set	
7108	5/8"-11x3" Bolt, ASTM A-325, Hot Dip Galv	4
7107	5/8"-11 Nut, ASTM A-325, Hot Dip Galv	4
7131	5/8" Washer, Flat, Hot Dip Galv	8
7977-SB-35	1997 Sleeve Bolt Hardware Set	
7100	1/2"-13 x 5", Bolt, Galv Steel ASTM A-307	4
7167	1/2"-13, Locknut, Galv Steel ASTM A-307	4
7159	Slip Base Shim, Galv Steel	4

	NAME	DATE
DRAWN	AMK	10/28/09
CHECKED	GMK	10/29/09
ENG APPR.	JRK	10/29/09
MFG APPR.	AMK	10/30/09

**PROPRIETARY AND CONFIDENTIAL**  
THE INFORMATION CONTAINED IN THIS DRAWING IS THE SOLE PROPERTY OF COST CAST, INC. ANY REPRODUCTION IN PART OR AS A WHOLE WITHOUT THE WRITTEN PERMISSION OF COST CAST, INC. IS PROHIBITED.

UNLESS OTHERWISE SPECIFIED:  
DIMENSIONS ARE IN INCHES  
TOLERANCES:  
ANGULAR: MACH ± 1/32"  
TWO PLACE DECIMAL ± .03"  
THREE PLACE DECIMAL ± .010"

INTERPRET GEOMETRIC TOLERANCING PER:  
MATERIAL VARIOUS  
FINISH VARIOUS  
DO NOT SCALE DRAWING

**COST CAST, INC**

TITLE:  
**1997-35-H**  
3-1/2" Round Slip Base Set

SIZE <b>A</b>	DWG. NO. <b>13715</b>	REV <b>A</b>
SCALE: 1:16	WEIGHT:	SHEET 1 OF 1