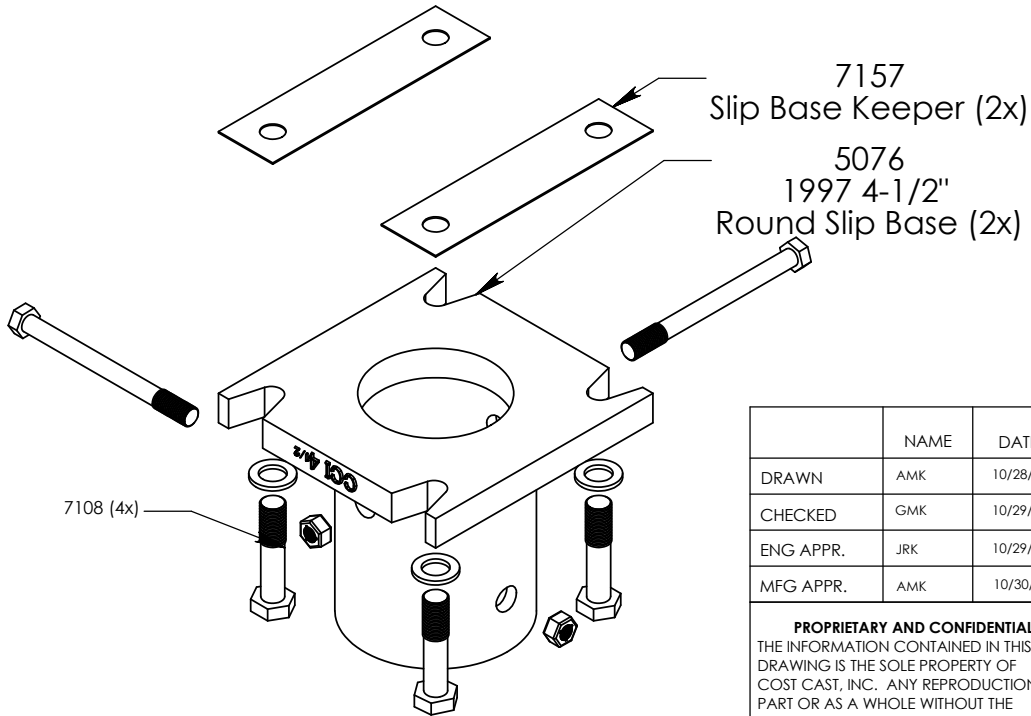
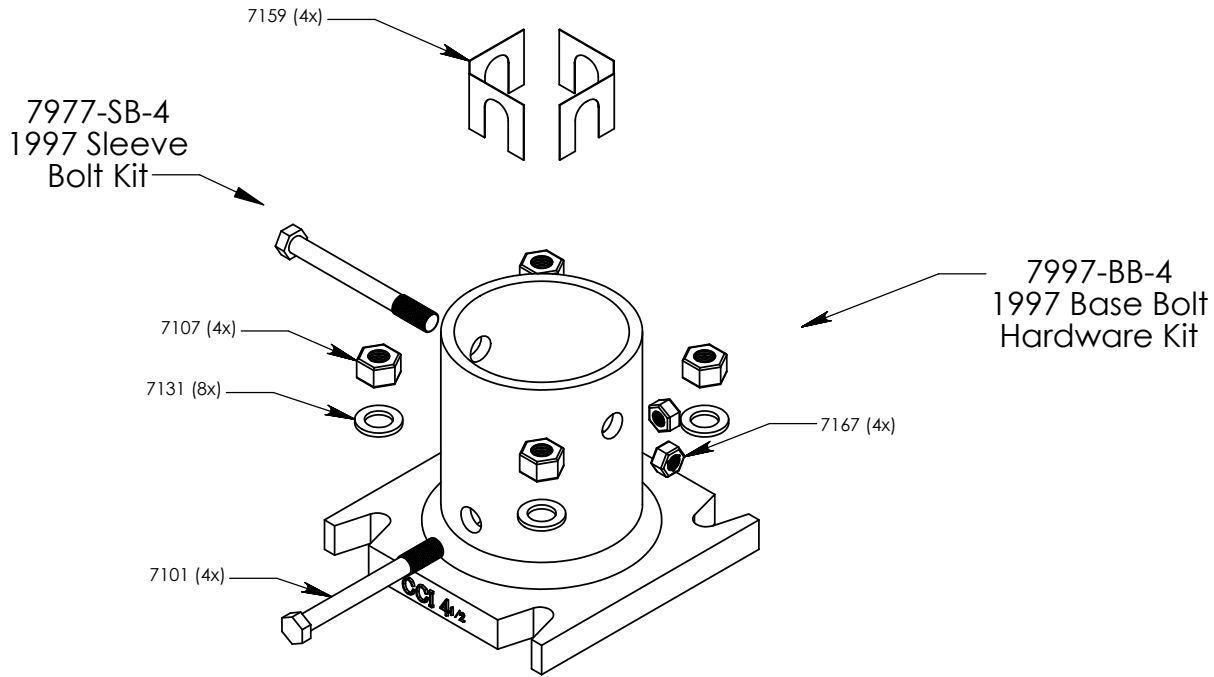


REVISIONS			
REV.	DESCRIPTION	DATE	APPROVED
A	INITIAL RELEASE	10/29/09	GMK



ITEM NO.	PART DESCRIPTION	
5076	1997 4-1/2" Round Slip Base, Alloy 356-T6	2
7157	Slip Base Keeper, 8" Al, .040" Gauge	2
7997-BB-4	1997 Base Bolt Hardware Set	
7108	5/8"-11x3" Bolt, ASTM A-325, Hot Dip Galv	4
7107	5/8"-11 Nut, ASTM A-325, Hot Dip Galv	4
7131	5/8" Washer, Flat, Hot Dip Galv	8
7997-SB-4	1997 Sleeve Bolt Hardware Set	
7101	1/2"-13 x 6", Bolt, Galv Steel ASTM A-307	4
7167	1/2"-13, Locknut, Galv Steel ASTM A-307	4
7159	Slip Base Shim, Galv Steel	4

	NAME	DATE
DRAWN	AMK	10/28/09
CHECKED	GMK	10/29/09
ENG APPR.	JRK	10/29/09
MFG APPR.	AMK	10/30/09

PROPRIETARY AND CONFIDENTIAL
 THE INFORMATION CONTAINED IN THIS DRAWING IS THE SOLE PROPERTY OF COST CAST, INC. ANY REPRODUCTION IN PART OR AS A WHOLE WITHOUT THE WRITTEN PERMISSION OF COST CAST, INC. IS PROHIBITED.

UNLESS OTHERWISE SPECIFIED:
 DIMENSIONS ARE IN INCHES
 TOLERANCES:
 ANGULAR: MACH ± 1/32"
 TWO PLACE DECIMAL ± .03"
 THREE PLACE DECIMAL ± .010"
 INTERPRET GEOMETRIC TOLERANCING PER:
 MATERIAL VARIOUS
 FINISH VARIOUS
 DO NOT SCALE DRAWING

COST CAST, INC

TITLE:
1997-45-H
 4-1/2" Round Slip Base Set

SIZE A	DWG. NO. 13717	REV A
SCALE: 1:16	WEIGHT:	SHEET 1 OF 1