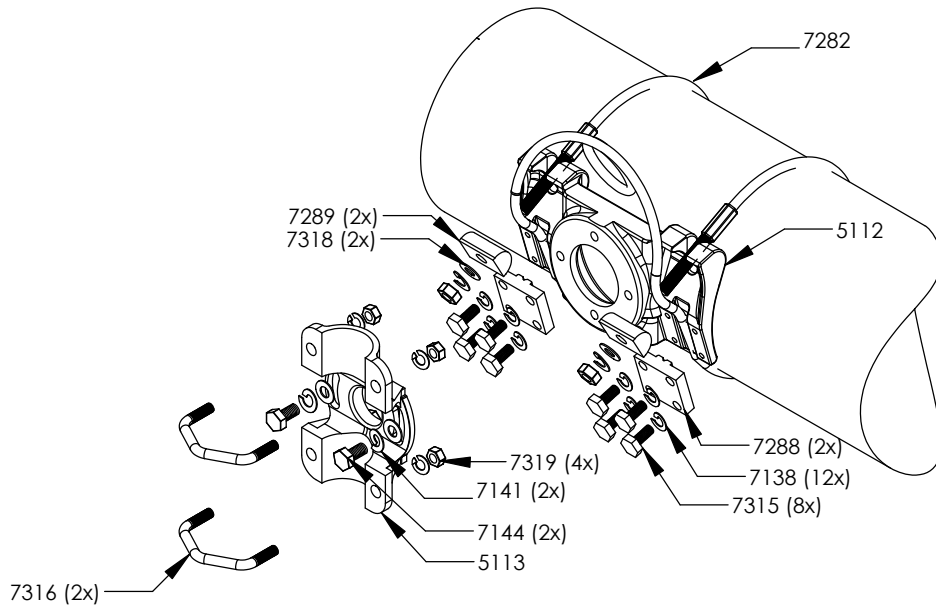


REVISIONS			
REV.	DESCRIPTION	DATE	APPROVED
A	INITIAL RELEASE	10/28/15	AMK



ITEM NO.	PART DESCRIPTION	
1416-A-Z120	1416 Saddle & Swivel Assembly, 120" Cable Double Swage, Galvanized	1
5112	1416 Mast Arm Bracket Saddle, Al Alloy 535.0	1
5113	1416 Mast Arm Bracket Swivel, Al Alloy 535.0	1
7282	Aircraft Cable, 120" Long, Double 3/8" Swage, Galv	1
7315	5/16"-18 x 3/4" Cap Screw, SS304	8
7138	5/16" Washer, Lock, SS304	12
7288	Clamp, Cable, Four-Bolt, Extruded, Al,	2
7289	Wedge, Aluminum, Extruded, 1316/1346 & 1416/1446	2
7318	3/8" Washer, Fender, Flat, SS304	2
7316	V-Bolt: 5/16"-18, SS304	2
7319	5/16"-18, Hex Nut	4
7144	3/8"-16 x 1-1/4" Cap Screw, SS304	2
7141	3/8" Washer, Lock, SS304	2

	NAME	DATE	UNLESS OTHERWISE SPECIFIED:				
DRAWN	H.ER. B	10/20/14	DIMENSIONS ARE IN INCHES				
CHECKED	SAM	10/21/14	TOLERANCES:				
ENG APPR.	JRK	10/22/14	ANGULAR: MACH ± 1/32"				
MFG APPR.	AMK	10/25/14	TWO PLACE DECIMAL ± .03"				
PROPRIETARY AND CONFIDENTIAL THE INFORMATION CONTAINED IN THIS DRAWING IS THE SOLE PROPERTY OF COST CAST, INC. ANY REPRODUCTION IN PART OR AS A WHOLE WITHOUT THE WRITTEN PERMISSION OF COST CAST, INC. IS PROHIBITED.			INTERPRET GEOMETRIC TOLERANCING PER:				
			MATERIAL			COST CAST, INC TITLE: 1416-A-Z120 Value-Brac, Mast-Arm Signal Clamp, 120" Cable, Stainless Steel Hardware	
			FINISH				
			DO NOT SCALE DRAWING			SIZE	DWG. NO.
			A	13814	A		
			SCALE: 1:16	WEIGHT:	SHEET 1 OF 1		