

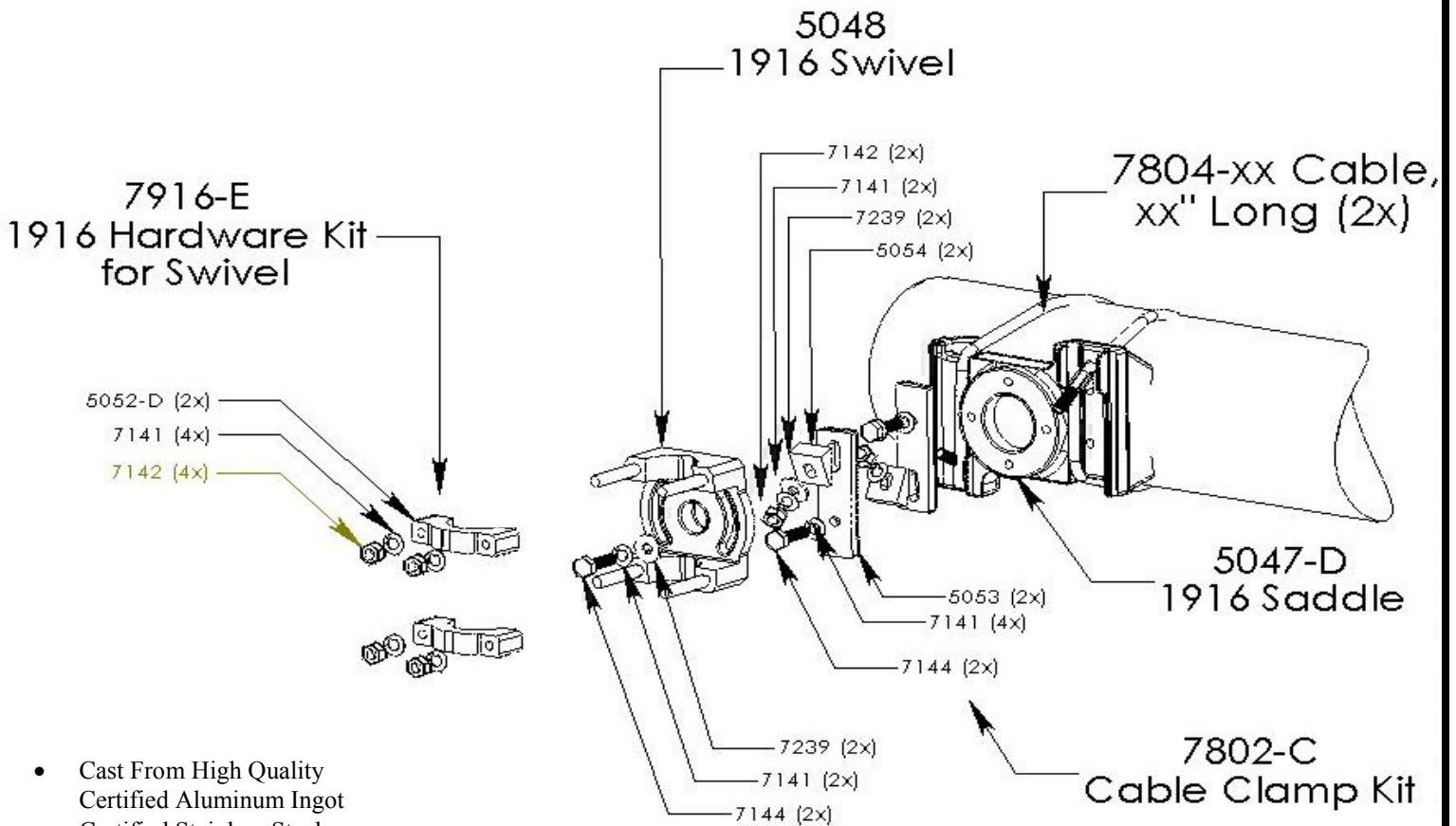


COST CAST, INC

TRAFFIC SIGNAL AND SIGN MOUNTING HARDWARE

Mast Arm Mounting System

1916-A



- Cast From High Quality Certified Aluminum Ingot
- Certified Stainless Steel Hardware
- Weather Resistant Powder Coating Available in Multiple Colors



COST CAST, INC. MANUFACTURES THE "ZERO FAILURE" TRAFFIC SIGNAL HARDWARE EXCLUSIVELY MADE IN AMERICA.