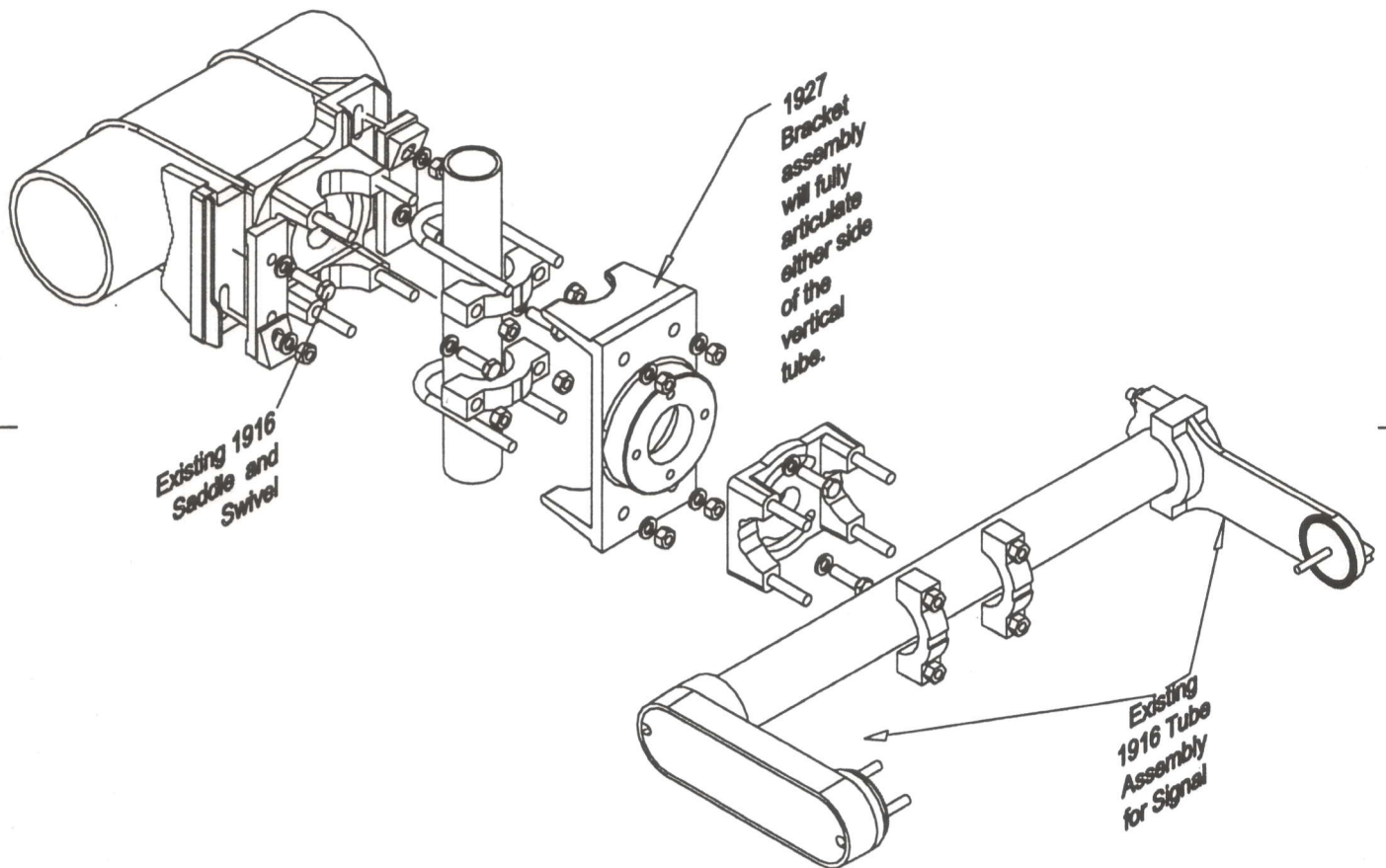


Do not use for any purposes without written permission of COST CAST INC.

All nuts, washers and bolts are stainless steel.
All fasteners may not be shown in the illustration

All nuts and bolts that have to be tightened are accessible from the front of the assembly.



Horizontal signal may be installed at any angle from the mast arm by using the 1927 Assembly.

Part No. 1926

Page 34-B

| | | |
|---|--------------------------------------|---------------|
| Cost Cast Inc. 1301 Commerce Av. Haines City, FL. 33844 | Mast Arm Signal Articulating Bracket | SCALE: None |
| | For Horizontal Signal Installation | DATE: 2/15/00 |
| | | DRW BY: JTD |
| | | DWG #: 1926 |