

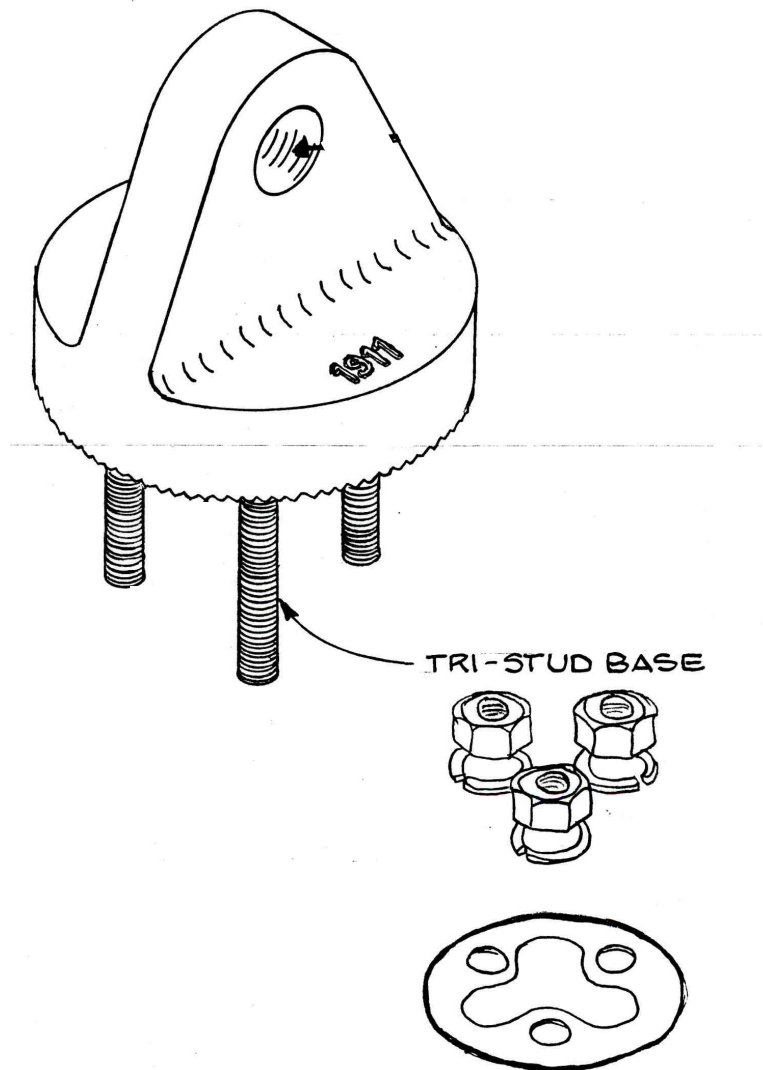


COST CAST, INC

TRAFFIC SIGNAL AND SIGN MOUNTING HARDWARE

Single Eye Balancer

1911-3U



- Cast From High Quality Certified Aluminum Ingot
- Certified Stainless Steel Hardware
- Weather Resistant Powder Coating Available in Multiple Colors
- Utilizes universal mounting hardware to fit all configurations.
- Available with coupling option .



COST CAST, INC. MANUFACTURES THE "ZERO FAILURE" TRAFFIC SIGNAL HARDWARE EXCLUSIVELY MADE IN AMERICA.